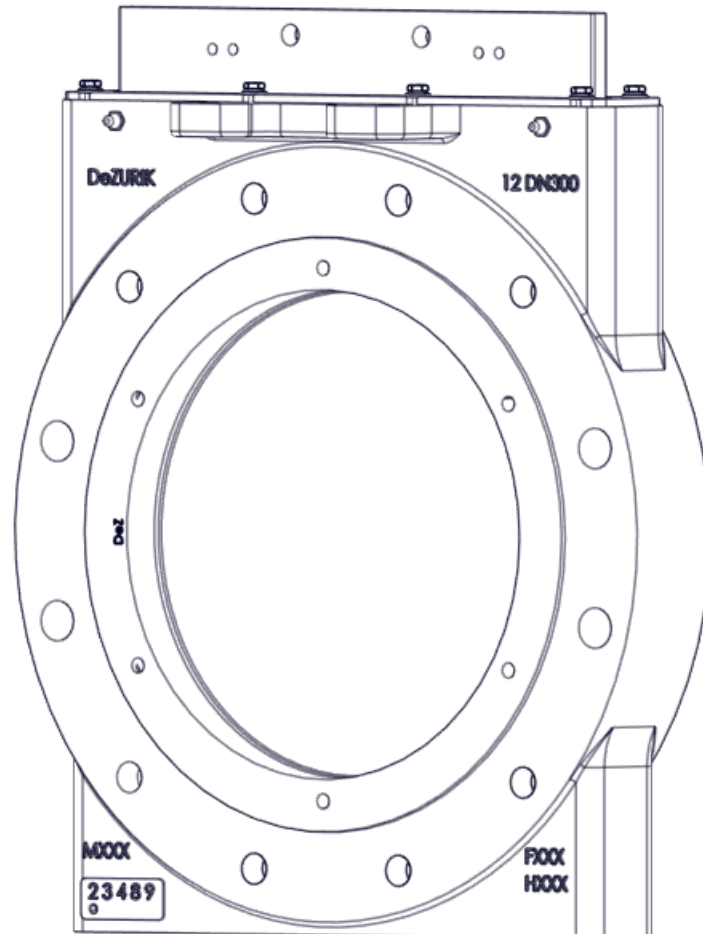




DeZURIK
2–24” (50–600mm)
KSL-SD SLURRY KNIFE GATE
VALVES



Instruction D11046
January 2018

Instructions

These instructions are intended for personnel who are responsible for the installation, operation and maintenance of your KSL-SD knife gate valve.

Safety Messages

All safety messages in the instructions are flagged with the word Caution, Warning or Danger. These messages must be followed exactly to avoid equipment damage, personal injury or death.

Safety label(s) on the product indicate hazards that can cause equipment damage, personal injury or death. If a safety label becomes difficult to see, or if a label has been removed, please contact DeZURIK for replacement.



WARNING

Personnel involved in the installation or maintenance of valves should be constantly alert to potential emission of process material and take appropriate safety precautions. Always wear suitable protection when dealing with hazardous process materials. Handle valves which have been removed from service with the assumption of process material within the valve.

Inspection

Your KSL-SD knife gate valve has been packaged to provide protection during shipment. Carefully inspect the unit for damage upon arrival and file a claim with the carrier if damage is apparent.

Parts

Recommended spare parts are listed on the assembly drawing. These parts should be stocked to minimize downtime.

Order parts from your DeZURIK sales representative, or directly from DeZURIK. When ordering parts, please include the serial number or the 7-digit part number and 4-digit revision number (example: **9999999R000**) located on the data plate attached to the valve assembly. Also include the part name, the assembly drawing number, the balloon number and the quantity stated on the assembly drawing.

DeZURIK Service

DeZURIK Service personnel are available to install, maintain and repair all DeZURIK products. DeZURIK also offers customized training programs and consultation services. For more information, contact your local DeZURIK representative or visit our website at www.dezurik.com.

Table of Contents

Description	4
Installation	4
Operation	5
Lubrication	5
Adjustment	5
Drawings	6
Top Seal Replacement	7
<i>Removing the Top Seal</i>	7
<i>Installing the New Top Seal</i>	7
Sleeve Replacement	8
<i>Removing the Sleeves</i>	8
<i>Installing the New Sleeves</i>	8
Storage and Shipping	9
Troubleshooting	9

DeZURIK

2—24" KSL-SD SLURRY KNIFE GATE VALVES

Description

The KSL-SD is available in 2—24" (50-600mm) sizes, with a choice of several actuators and accessories. The gate is removable for inspection or replacement while the valve is in an open position during service.

Installation

Install the valve between ASME Class 125 or Class 150 pipeline flanges or other flanges that match the valve end connection. The resilient sleeves seal against pipe flanges, and thus no flange gaskets are required. Before installation, remove foreign material such as oil, grease, and dirt from the valve and pipeline.



WARNING

Personnel involved in the installation or maintenance of valves should be constantly alert to potential emission of process material and take appropriate safety precautions. Always wear suitable protection when dealing with hazardous process materials. Handle valves which have been removed from service with the assumption of process material within the valve.

Observe the following points to prevent distortion of the valve body and gate when the flange fasteners are tightened.

1. Align the mating pipe flanges.
2. If using bolts, select the bolt length so that they do not extend through the flange so far as to interfere with the valve body.
3. Tighten the fasteners evenly, in a criss-cross pattern. Refer to Table 1 for recommended flange torque ranges.

Note: Torque ranges are based on ASME Pressure Vessel Code Calculations and lab test data.

Normal Installation

The valve is bi-directional, it can be installed in either direction.

After installation, pressurize the pipeline and ensure the valve does not leak in the full open and full closed positions. The valve is fitted with a self-adjusting top seal and therefore, no tightening is required.

Table 1: Recommended Flange Bolt/Stud Torque Ranges

Valve Size	Torque Range (ft-lbs)
2" (50 mm)	26 – 29
3" (80 mm)	37 – 41
4" (100 mm)	26 – 29
6" (150 mm)	41 – 45
8" (200 mm)	55 – 61
10" (250 mm)	56 – 62
12" (300 mm)	80 – 88
14" (350 mm)	107 – 118
16" (400 mm)	103 – 114
18" (450 mm)	128 – 141
20" (500 mm)	123 – 136
24" (600 mm)	188 – 207



CAUTION

The KSL-SD knife gate valve is designed to discharge media to atmosphere when stroking to prevent solid build-up that may cause leakage. If installing over walkways, electrical equipment or other equipment, ensure that proper precautions (such as the installation and plumbing of the optional drain plate) are taken.



WARNING

Do not plug all ports on the drain plate. This can cause top seal failure.

Installation continued

Gravity (Dry) Service Installation

As the valve is bi-directional, it can be installed in either direction in a vertical pipeline.

Before installation, ensure that the sleeves and gate are free from any grease or liquid type lubricants that might contaminate the media.

Operation

The valve gate (A2) is positioned by the valve actuator. The actuator strokes the gate through the sleeves to the closed position, flushing the valve in the process. In the closed position, the sleeves press up against the gate, preventing flow and providing a drip-tight seal. In the open position, the sleeves press against each other to seal to provide a drip-tight seal and allow the process media to flow with minimal disturbance. The top seal is designed to prevent leakage from the top of the valve body during stroking.

Refer to the Actuator Instructions document for adjustment and maintenance requirements for the actuator.

Outdoor/Cold Service (below freezing)

For applications where the valve will be closed for an extended period of time in freezing conditions, we recommend heat tracing or blankets to ensure proper sleeve operation when the valve is opened.

Lubrication (for Non-Dry Service Installations)

Lubrication is provided to the top seal and sleeves by four 1/8” grease fittings in the body of the valve. See Table 2 for a list of approved silicone based lubricants. See Table 3 for recommended lubrication intervals.

- The top seal and sleeves should be lubricated during inspection. Apply a thin coat of lubricant to the top seal and sleeves before installation. See the *Top Seal Replacement* and *Sleeve Replacement* sections of this manual for instructions.
- In between inspections, lubricate the valve using the grease fittings on the body.
- Wipe the gate clean at regular intervals to prolong the life of the top seal and sleeves.

Table 2: Approved Lubricants

<i>Silicone-Based Lubricant</i>	<i>Manufacturer</i>
<i>Recommended:</i>	
MOLYKOTE 111	Dow Corning
<i>Approved Alternatives:</i>	
MOLYKOTE 44	Dow Corning
Sil Glyde	AGS Company
Chemplex 825	FUCHS
7 Release Compound	Dow Corning
G661	Novagard

Table 3: Recommended Lubrication Intervals

<i>Valve Size</i>	<i>Number of Strokes</i>
2 – 10” (50—250 mm)	100
12 – 24” (300—600 mm)	50

Adjustment

The valve is fitted with a self-adjusting top seal and therefore, no tightening is required.

DeZURIK
2—24" KSL-SD SLURRY KNIFE GATE VALVES

Drawings

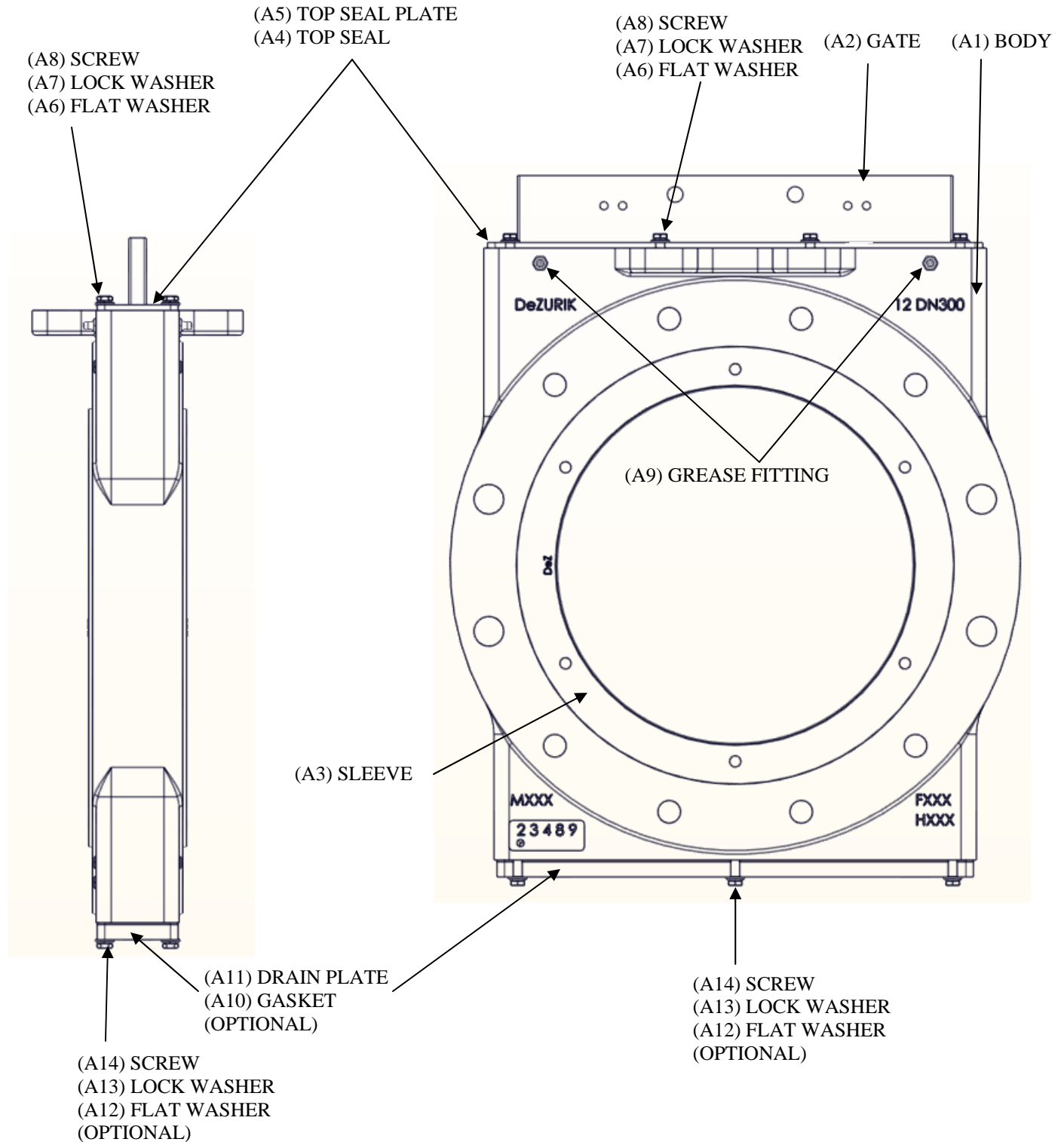


Figure 1—Component Identification

Top Seal Replacement

The resilient molded top seal is designed to apply even sealing force to the top of the valve. The seal must be replaced if it has been damaged or if it still leaks after it is fully tightened.

Removing the Top Seal



WARNING!

Regardless of valve orientation, **EXTREME** caution should be practiced to handle and service the gate when replacing the top seal.



WARNING!

Pipeline pressure can cause personal injury or equipment damage. The top seal can be replaced with the pipeline pressurized with the gate removed.

1. Ensure the gate (A2) is fully open.
-



WARNING!

Accidental operation of power actuator can cause personal injury or equipment damage. Disconnect and lock out power to actuator before servicing.

2. If the actuator is powered, disconnect the power source or ensure that it is properly locked out.
 3. Remove the fasteners connecting the actuator clip to the gate. Remove the fasteners connecting the leg to the body. Set aside.
 4. Lift the gate straight up and set aside. Make sure there is no damage to the gate.
 5. Remove the top fasteners (A6, A7, A8). Remove top seal plate (A5) and set aside for re-use. Remove the top seal (A4).
-

Installing the New Top Seal

1. Visually inspect the top seal for any wear or cracking. Apply a liberal amount of approved lubricant (see Table 2: Approved Lubricants) to the inside ribbed surfaces of the top seal (A4). For dry service application, no lubricant can be used.
 2. Place the top seal (A4) so that the bottom surface (rounded edges) is in contact with the top of the valve body (A1) and the TOP marking is visible when assembled. For dry service application, a top seal is not required.
 3. Inspect the gate for sharp edges and check the surface of the gate for any damage. If damage is present, go to “Replacing the Gate” section.
 4. Apply silicone lubricant to the leading edge faces of the gate (A2). For dry service application, no lubricant can be used.
 5. Place the gate (A2) into the top seal (A4) and carefully slide it down into the body. Avoid cutting the rubber.
 6. Place the top seal plate (A5) on the top seal (A4) and then tighten the top seal fasteners (A6, A7, A8). Do not over tighten.
 7. Reattach the actuator clip to the gate (A2) and the leg to the body with body fasteners.
 8. Tighten the fasteners.
-

Sleeve Replacement

The sleeves provide a drip-tight seal when the valve is closed. If either sleeve is to be replaced, the valve must be removed from service.

Removing the Sleeves



WARNING!

Pipeline pressure can cause personal injury or equipment damage. Relieve pipeline pressure before servicing.

1. Relieve the pressure in the pipeline.
-



WARNING!

Accidental operation of power actuator can cause personal injury or equipment damage. Disconnect and lock out power to actuator before servicing.

2. Ensure the gate (A2) is fully open.
3. If the actuator is powered, ensure the actuator is properly locked out.
4. Remove the valve from the pipeline.
5. Pull the sleeves (A3) out of the body (A1).
Inspect the sleeves (A3) for damage or excessive wear. If either is present, replace the sleeves.

Installing the New Sleeves

1. Check the gate and body to ensure there is no damage or sharp edges.
2. Apply approved lubricant to the surfaces of each sleeve (A3) that will contact each other after they are installed into the body. Also apply a thin coating of the same lubricant to the outside diameters that will contact the valve body (A1) bores. For dry service application, no lubricant can be used.
3. With the gate in the open position (fully retracted), place the sleeves (A3) into the valve body bore and press into place from each side. It is recommended the valve be placed in a stand so that the two sleeves are equally inserted into the body (A1).
4. Reinstall the valve into the pipeline following the specifications in the *Installation* section.
5. If the actuator is powered, remove lock out or reconnect the power.

Storage and Shipping

All KSL-SD valves are shipped in the open position. This is also the recommended position for installation and storage.

- The valve should be stored away from direct sunlight, excessive heat, and extreme weather conditions to prevent premature deterioration of the resilient components.
- If possible, store the valve in the vertical position. Manually actuated valves may be stored horizontally if necessary.
- Always inspect the valve after being removed from storage for damage to the flanged surfaces, sealing sleeves, gate, sleeve retainer (if equipped), top seal, or actuator. Inspect the valve on a regular basis while in storage to ensure the valve components have not deteriorated.

Troubleshooting

Condition	Possible Causes	Corrective Action
Top seal leaks during gate closing or opening	Top seal is worn or torn	Replace top seal
	Gate is galled	Replace gate and top seal, check sleeves for damage
Valve continues to discharge media when gate is fully closed	Gate inserted, closed position is not correct	Check actuator for correct function Set stop for inserted gate dimension as per installation drawing
	Sleeves are worn or torn	Replace sleeves
	Gate is galled	Replace gate and sleeves, check top seal for damage
Valve continues to discharge media when gate is fully open	Gate retracted, open position is not correct	Check actuator for correct function Set stop for retracted gate dimension as per installation drawing
	Sleeves are worn or torn	Replace sleeves
Valve allows media flow when gate is fully closed	Gate inserted, closed position is not correct	Check actuator for correct function
		Set stop for inserted gate dimension as per installation drawing

Guarantee

Products, auxiliaries and parts thereof of DeZURIK, Inc. manufacture are warranted to the original purchaser for a period of twenty-four (24) months from date of shipment from factory, against defective workmanship and material, but only if properly installed, operated and serviced in accordance with DeZURIK, Inc. recommendations. Repair or replacement, at our option, for items of DeZURIK, Inc. manufacture will be made free of charge, (FOB) our facility with removal, transportation and installation at your cost, if proved to be defective within such time, and this is your sole remedy with respect to such products. Equipment or parts manufactured by others but furnished by DeZURIK, Inc. will be repaired or replaced, but only to the extent provided in and honored by the original manufacturers warranty to DeZURIK, Inc., in each case subject to the limitations contained therein. No claim for transportation, labor or special or consequential damages or any other loss, cost or damage shall be allowed. You shall be solely responsible for determining suitability for use and in no event shall DeZURIK, Inc. be liable in this respect. DeZURIK, Inc. does not guarantee resistance to corrosion, erosion, abrasion or other sources of failure, nor does DeZURIK, Inc. guarantee a minimum length of service. Your failure to give written notice to us of any alleged defect under this warranty within twenty (20) days of its discovery, or attempts by someone other than DeZURIK, Inc. or its authorized representatives to remedy the alleged defects therein, or failure to return product or parts for repair or replacement as herein provided, or failure to install and operate said products and parts according to instructions furnished by DeZURIK, Inc., or misuse, modification, abuse or alteration of such product, accident, fire, flood or other Act of God, or failure to pay entire contract price when due shall be a waiver by you of all rights under this warranty.

The foregoing guarantee shall be null and void if, after shipment from our factory, the item is modified in any way or a component of another manufacturer, such as but not limited to, an actuator is attached to the item by anyone other than DeZURIK, Inc. Factory Service personnel. All orders accepted shall be deemed accepted subject to this limited warranty, which shall be exclusive of any other or previous Warranty, and this shall be the only effective guarantee or warranty binding on DeZURIK, Inc., despite anything to the contrary contained in the purchase order or represented by any agent or employee of DeZURIK, Inc., in writing or otherwise, notwithstanding, including but not limited to implied warranties.

THE FOREGOING REPAIR AND REPLACEMENT OBLIGATIONS ARE IN LIEU OF ALL OTHER WARRANTIES, OBLIGATIONS AND LIABILITIES, INCLUDING ALL WARRANTIES OF FITNESS FOR A PARTICULAR PURPOSE OR OF MERCHANTABILITY OR OTHERWISE, EXPRESSED OR IMPLIED IN FACT OR BY LAW, AND STATE DEZURIK, INC.'S ENTIRE AND EXCLUSIVE LIABILITY AND YOUR EXCLUSIVE REMEDY FOR ANY CLAIM IN CONNECTION WITH THE SALE AND FURNISHING OF SERVICES, GOODS OR PARTS, THEIR DESIGN, SUITABILITY FOR USE, INSTALLATION OR OPERATIONS.

Limitation of liability

LIMITATION OF LIABILITY: IN NO EVENT SHALL DEZURIK, INC. BE LIABLE FOR ANY DIRECT, INDIRECT, SPECIAL OR CONSEQUENTIAL DAMAGES WHATSOEVER, AND DEZURIK, INC.'S LIABILITY, UNDER NO CIRCUMSTANCES, WILL EXCEED THE CONTRACT PRICE FOR THE GOODS AND/OR SERVICES FOR WHICH LIABILITY IS CLAIMED. ANY ACTION BY YOU FOR BREACH OF CONTRACT MUST BE COMMENCED WITHIN 12 MONTHS AFTER THE DATE OF SALE.

Sales and Service

For information about our worldwide locations, approvals, certifications and local representative:

Web site: www.dezurik.com E-Mail: info@dezurik.com



250 Riverside Ave. N. Sartell, Minnesota 56377 • Phone: 320-259-2000 • Fax: 320-259-2227

DeZURIK, Inc. reserves the right to incorporate our latest design and material changes without notice or obligation. Design features, materials of construction and dimensional data, as described in this manual, are provided for your information only and should not be relied upon unless confirmed in writing by DeZURIK, Inc. Certified drawings are available upon request.